



# MERLO

## P 40.17 US STABILIZERS

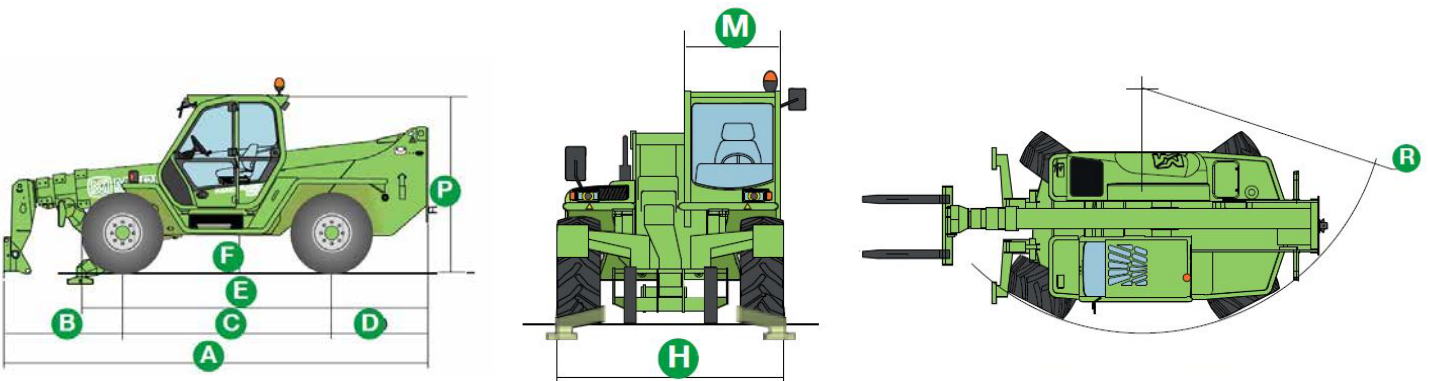
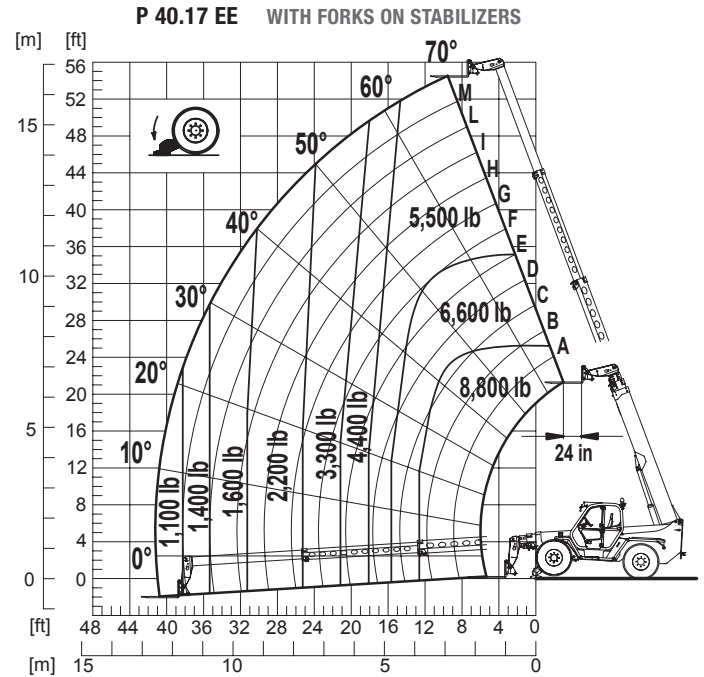
- **MAXIMUM LOAD CAPACITY: 8,800 LBS**
- **MAXIMUM LIFT HEIGHT: 54' 8"**
- **MAXIMUM REACH: 41' 0"**
- **LOAD CAPACITY AT MAXIMUM LIFT HEIGHT: 5,500 LBS**
- **LOAD CAPACITY AT MAXIMUM FORWARD REACH: 1,100 LBS**



# SPECIFICATIONS: P 40.17 US STABILIZERS



|                                                 |                       |
|-------------------------------------------------|-----------------------|
| Power / 4 Cylinder Turbo Diesel .....           | Deutz/101 HP          |
| Transmission .....                              | 2 Speed / Hydrostatic |
| Maximum Speed .....                             | 25 MPH                |
| Total Unladen Mass .....                        | 22,320 LBS            |
| Boom Sideshift (Inches) .....                   | Standard / 17         |
| Frame Leveling .....                            | Standard / ±10%       |
| Load Sensing Hydraulic Pump (PSI-gal/min) ..... | 3,045-38              |
| Fuel Capacity .....                             | 40 Gallons            |
| Hydraulic Oil Capacity .....                    | 37 Gallons            |
| Tires .....                                     | 405/70-24             |
| 4 Wheel Drive / 3 Steering Modes .....          | Standard              |
| Hydraulic System .....                          | Load-sensing          |
| Control and Command Center .....                | Electronic MERlin     |
| Independent Front Stabilizers .....             | Standard              |



| Dimensions |         |   |         |   |        |   |         |
|------------|---------|---|---------|---|--------|---|---------|
| A          | 19' -0" | D | 4' -3"  | H | 7' -9" | R | 13' -3" |
| B          | 4' -9"  | E | 15' -7" | M | 3' -3" |   |         |
| C          | 9' -4"  | F | 1' -6"  | P | 8' -2" |   |         |

DEALER INFORMATION: